

GRP MOULDED ACCESSORIES



...when reliability matters

1 - 7 Quality GRP Overdoor Canopies

- 1 Cheltenham 730 & 880
- 2 Carisbrooke, Berkley, Tamworth
- 3 Elsdon, Sherbourne, Rockingham
- 4 Castledene, Ilkley, Suffolk
- 5 Dunster, Warwick, Arundel
- 6 Ripley, Shelf, Bolton, Stafford
- 7 Skipton, The Lincoln, The Hastings

8 Porch Roofs

9 - 10 Door Surrounds

11 Quality GRP Bow Canopy

12 GRP Base Units

13 Columns

14 Concept Canopy & Flexi-Roof Modules

15 GRP Dormers

16 GRP Chimneys

17 -19 GRP Brackets and Corbels



Cheltenham 730

Traditional canopy with clay tile design. Dual pitch canopy with imitation wood-grain effect fascia and ceiling. Fully detailed soffit and fascia. Includes GRP brackets.

Finish Options:

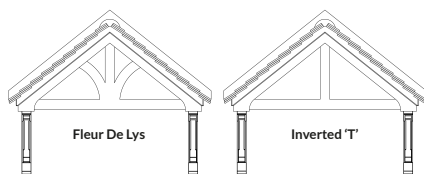
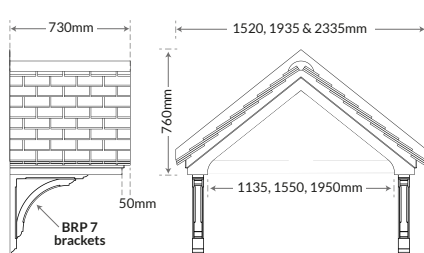
Open, T-Bar & Fleur de Lys. Terracotta or grey tile effect finish. Simulated woodgrained detailed fascia & ceiling in white, brown, light oak, rosewood or anthracite grey.

SLATE TILE NOW AVAILABLE

Sizes Available:

1520, 1935 & 2335mm overall widths.

* Available with or without brackets



T-Bar Option: White frame with grey tiles & GRP brackets (BRP7)



Fleur De Lys Option: White frame with grey tiles & GRP brackets (BRP7)

Cheltenham 880

Traditional canopy with clay tile design. Dual pitch canopy with imitation wood-grain effect fascia and ceiling. Fully detailed soffit and fascia. Includes GRP brackets.

Finish Options:

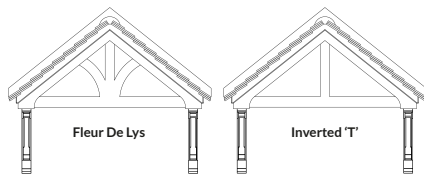
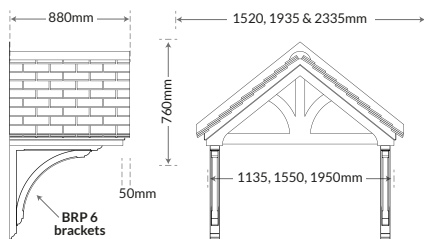
Open, T-Bar & Fleur de Lys. Terracotta or grey tile effect finish. Simulated woodgrained detailed fascia & ceiling in white, brown, light oak, rosewood or anthracite grey.

SLATE TILE NOW AVAILABLE

Sizes Available:

1520, 1935 & 2335mm overall widths.

* Available with or without brackets



Open Option: White frame with grey tiles & GRP brackets (BRP6)



Fleur De Lys Option: White frame with grey tiles & GRP brackets (BRP6)

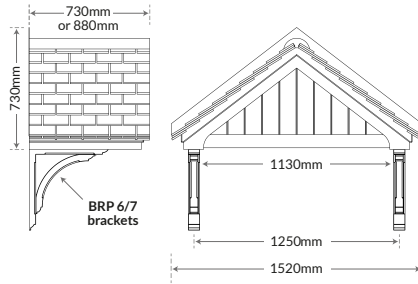
Carisbrooke

Closed gable tiled canopy /
Rosemary Tile Canopy

Finish Options:

Plank or Fleur de Lys option.
Terracotta or grey tile effect finish.
Woodgrained boarded gable & soffit.
detailed fascia & ceiling in white, brown,
light oak, rosewood or anthracite grey.

Sizes Available: 1520mm only (single door).



Closed Option: Boarded gable & soffit in white with GRP brackets (BRP 6/7)

* Available with or without brackets

Berkley

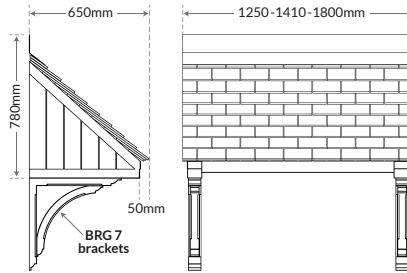
Mono pitched canopy with Rosemary clay tile effect, with a closed boarded gable & soffit detailing.

Finish Options:

White, brown, light oak, rosewood or anthracite grey, with an optional lead effect top available.

SLATE TILE NOW AVAILABLE

Available in custom widths between 1250 x 4200mm.

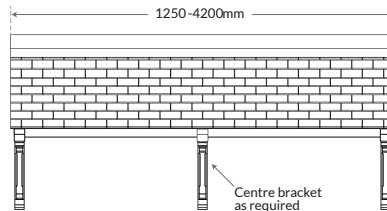


Berkley Single White fascia with grey tiles & GRP brackets (BRP 7)



Berkley Extended White fascia with grey tiles & GRP brackets (BRP7)

* Available with or without brackets



Tamworth

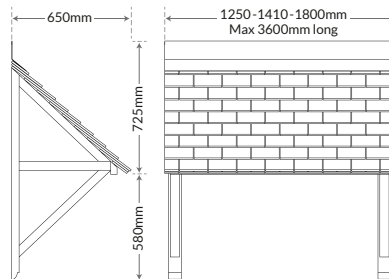
A simple monopitch canopy, available to any door width, effective solution.

Finish Options:

Terracotta & grey tile colour. White or brown brackets.

SLATE TILE NOW AVAILABLE

Sizes Available Between: 1250 - 3600mm width.



White brackets with Grey Tiles

* Not available without brackets

Quality GRP Overdoor Canopies

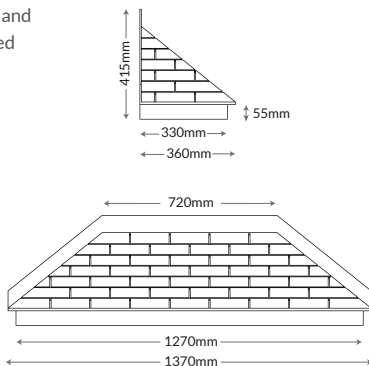
Elsdon

Clay tiled effect door canopy with a flat fascia and ceiling. Supplied without brackets. Can be fitted with corbel brackets BRG4, BRG5 or BRG11 from our range of optional extras.

Finish Options: Tiles available in terracotta or grey. Underside available in white, brown, light oak, rosewood or anthracite grey.

Size Available: As drawing.

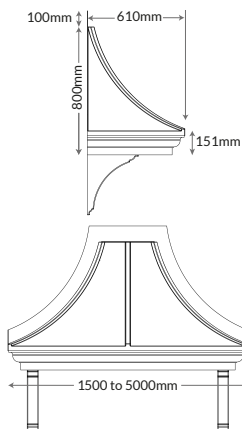
* Available with or without brackets



Sherbourne

A realistic rolled lead topped canopy with a smooth fascia & soffit, designed to complement any door opening, and available in a range of widths and Bespoke projections above standard sizes. Suitable as a door canopy or a fully insulated bay roof.

Standard Sizes: 1500 – 5000mm



Rockingham

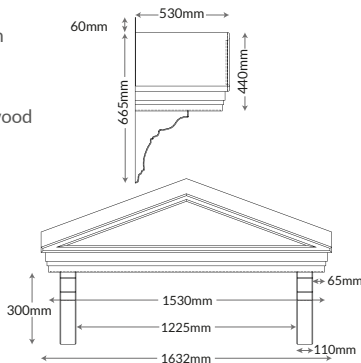
Elegant Victorian style door canopy in a smooth finish incorporating fully moulded brackets.

Finish Options: White, brown, light oak, rosewood or anthracite grey.

Size Available: As drawing

* Available with or without brackets

* Lead look top optional



Castledene

Detailed denture fascia with slight textured GRP soffit.

Finish Options:

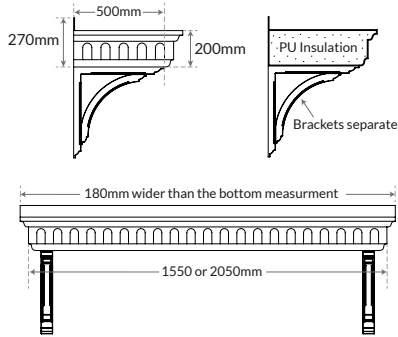
White, brown, light oak or rosewood. Optional lead effect top. Solid top or built in gutter option.

Standard Sizes Available:

1550 or 2050mm long
Bespoke sizes available.

* Various Bracket Options Available

* Shown here with BRP13 brackets (see page 18).



White Solid



White Open Gutter

Ilkley

Realistic lead-effect canopy with ceiling tray incorporating fully moulded brackets.

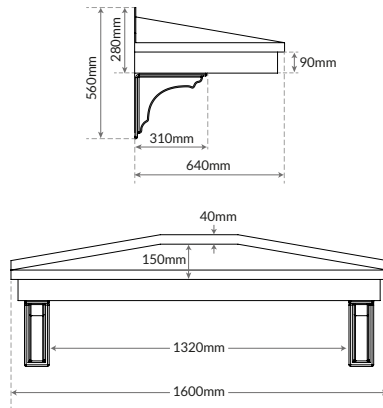
Finish Options:

Underside available in white, brown, light oak, rosewood or anthracite grey.

Size Available:

1600mm overall as drawings

* Available with or without brackets



Suffolk

A traditional tile effect hip-roof canopy with light texture fascia and soffit.

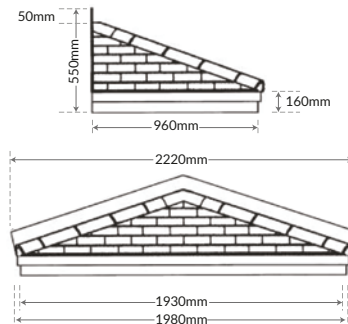
Finish Options:

Tiles available in terracotta or grey. Underside available in white, brown, light oak, rosewood or anthracite grey.

Size Available:

As drawing only.

* Install on support brackets or window frames



White with Terracotta Tiles
Shown mounted on our BRG12 brackets

Quality GRP Overdoor Canopies

Dunster

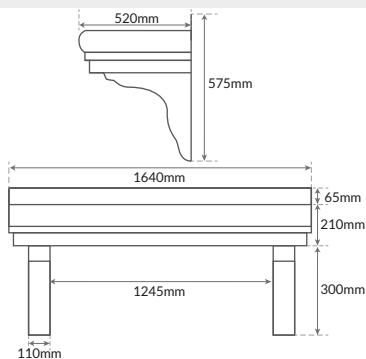
Flat smooth fascia canopy designed to enhance an entrance to any home.

*Comes with moulded brackets.

Finish Options:

All white, brown, light oak, rosewood or anthracite grey.

* Optional lead look top



Warwick

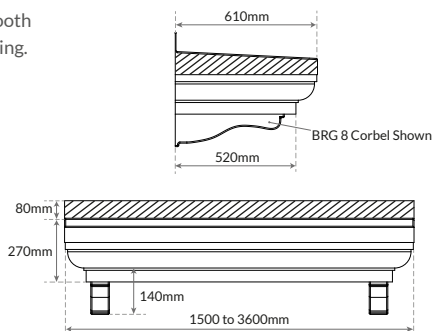
A flat topped lead look canopy with smooth white fascia incorporating period detailing.

Base Finish Options:

White, brown, light oak, rosewood or anthracite grey. Lead effect top.

Size Available Between:

1500 - 3600mm



* Available with or without brackets

Arundel

Elegant Victorian style door canopy in a smooth finish.

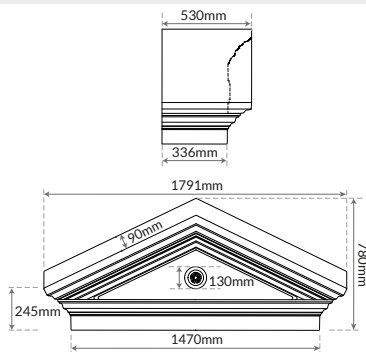
Base Finish Options:

White, brown, light oak, rosewood or anthracite grey.

Top available in white or grey lead effect.

Size Available:

Please see drawings.



Ripley

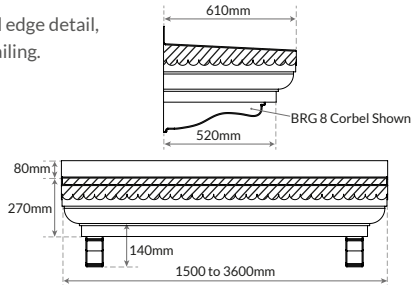
A flat topped lead look canopy with scalloped edge detail, smooth white fascia incorporating period detailing.

Base Finish Options:

White, brown, light oak, rosewood or anthracite grey or lead effect top.

Size Available Between: 1500 - 3600mm

* Available with or without brackets



White or lead effect top with GRP corbels (BRG8)

Shelf

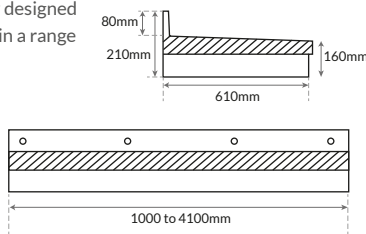
Our new Shelf canopy is a smooth finished canopy designed to complement any house entrance. It is available in a range of different sizes to suit most door openings.

Base Finish Options:

White, brown, light oak, rosewood or anthracite grey. Lead effect top.

Please contact us for bespoke sizes.

* Available with or without brackets



White and lead effect top

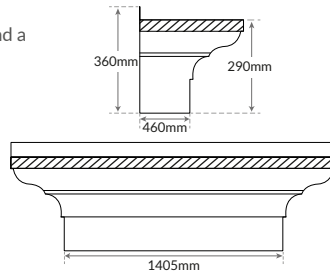
Bolton

A flat smooth white canopy with a detailed fascia and a lead effect top, designed for a single door only.

Finish Options:

White, brown, light oak, rosewood or anthracite grey.

* Brackets not included but are available in a range of options.



Picture shown with BRG12 brackets

Stafford

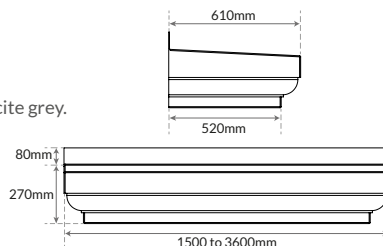
Flat all white canopy with detailed fascia.

Finish Options:

White, brown, light oak, rosewood or anthracite grey.

Size Available Between: 1500 - 3600mm

* Brackets not included with this canopy, but are available upon request.



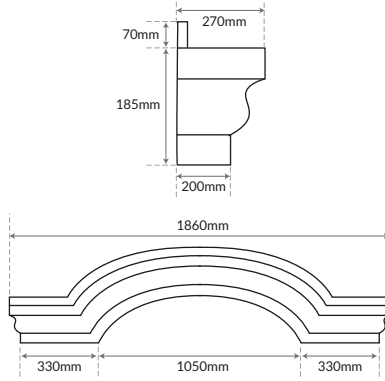
Quality GRP Overdoor Canopies

Skipton

Arched top for single door.
This can be fitted with two pillars or two brackets of your choice.

Finish Options:

Lead effect top.
Available in white, brown, light oak, rosewood or anthracite grey.
Also available with selected brackets or Edwardian pillars.



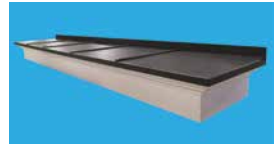
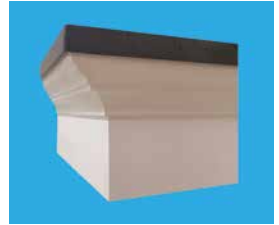
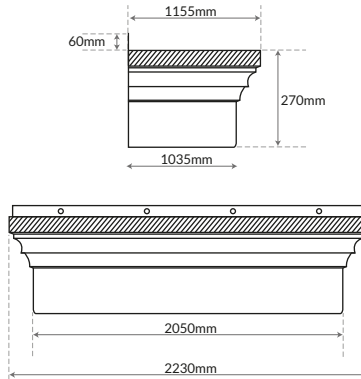
The Lincoln

Available as a door canopy or a fully insulated bay roof.

Finish Options:

Lead effect top.
Available in white, brown, light oak, rosewood or anthracite grey.

*Can be fitted with Solid Resin Brackets



The Hastings

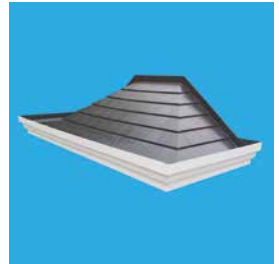
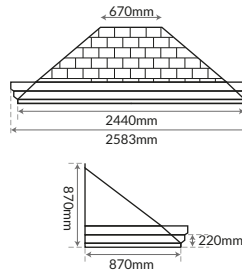
Fully insulated porch roof with a built in gutter system and lighting duct.

Finish Options: Available as a sloping tile roof.

Available in white, brown, light oak, rosewood or anthracite grey.

Size Available: 2583 x 870mm as drawing.

*Available with brackets or can be sat on frames.



Shown with a tiled roof option

The Berkley Extended

Same details as the standard Berkley 650.

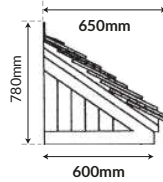
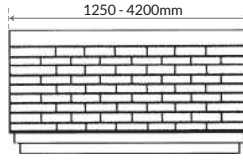
Insulated base forms a great bay top in record time.

Finish Options:

Available in white, brown, light oak, rosewood or anthracite grey.

Standard Sizes Available: 1250, 1410 or 1800mm

Bespoke Length Available: Up to a max 4200mm



Shown with a tiled roof option

The Berkley 1420

(1420mm projection.)

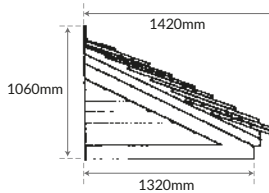
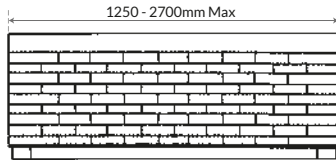
Shown as part of a porch assembly with frame. A quick, realistic roof fitted in a fraction of the time.

Finish Options:

Available in white, brown, light oak, rosewood or anthracite grey.

Size Available:

1250 to max 2800mm overall

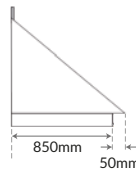
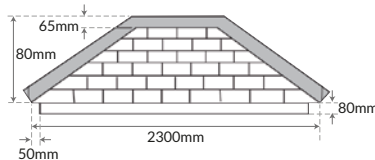


The Conisborough

Conisborough roof shown with fluted columns (optional) (see page 13).

Can be fully insulated as required to be used as a porch assembly on top of frames, forming a great enclosed porch.

Size Available: As drawing.



Plain or fluted columns available

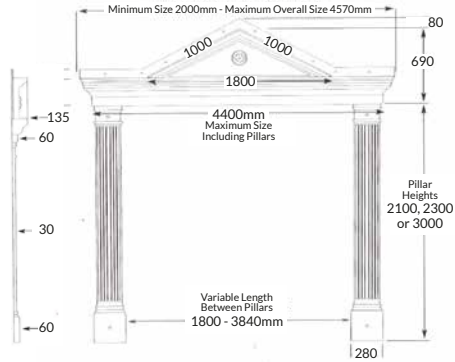
Door Surrounds

Victorian Winged

We have developed a unique design enabling the winged ends of the surround to be extended to suit your application. This allows you the flexibility to order this beautiful surround to fit your own door width. Brighten up your garage with this version of our great looking surround in the Victorian Style.

Finish Options: Available in three shades of white, chocolate brown, light oak, rosewood or anthracite grey.

* Lead look top optional



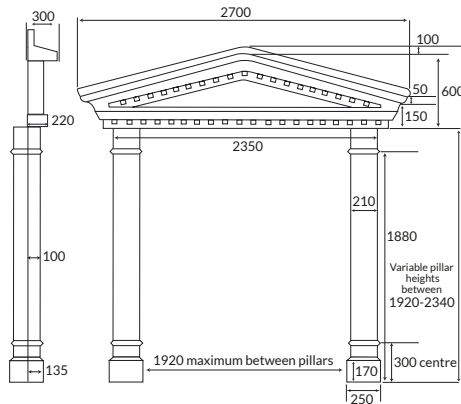
Victorian Portico Surround

A simple Victorian surround that has an elegant design to compliment a front door and side panel.

Recommended for door openings between 1920mm (max) x 1700mm (min). For best results pillars can easily be trimmed off at the top to adjust the height.

Finish Options: Available in three shades of white, chocolate brown, light oak, rosewood or anthracite grey.

* Lead look top optional

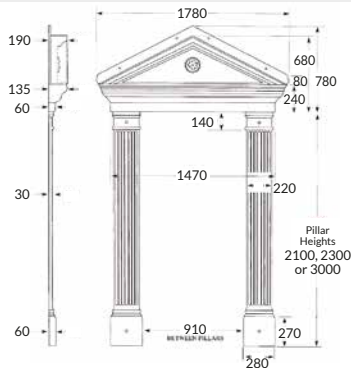


Victorian

Beautifully moulded from rigid GRP, and incorporating a rose design centre piece in the overdoor canopy, this maintenance free door surround will give years of service. Fast, easy installation means that you can have an entranceway that stands out from the crowd, in minimal time.

Finish Options: Available in three shades of white, chocolate brown, light oak, rosewood or anthracite grey.

* Lead look top optional



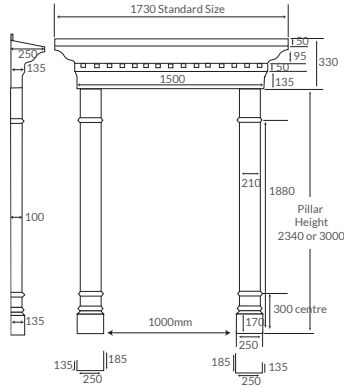
Edwardian

A modern surround in a satin finish. The top can be made upto a maximum size of 3140mm overall.

Pillars are also available separately.

Finish Options: Available in three shades of white, chocolate brown, light oak, rosewood or anthracite grey.

* Lead look top optional

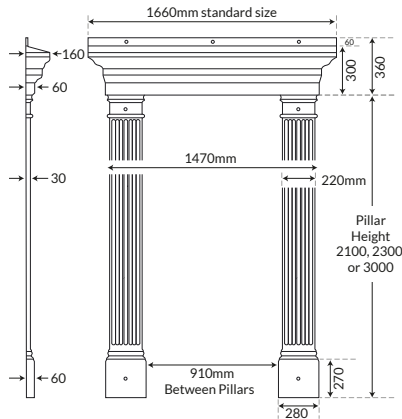


* Shown with lead look top.

Georgian

A beautiful surround, the Georgian features are sharp and clear cut. Pillars available at 2100mm, 2300mm & 3000mm high.

Finish Options: Available in three shades of white, chocolate brown, light oak, rosewood or anthracite grey.



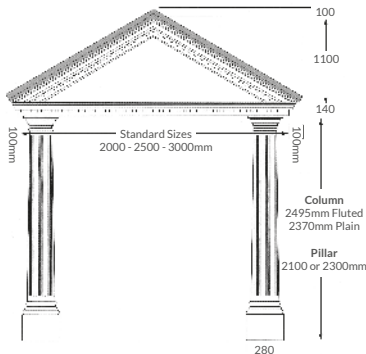
Victorian Portico Canopy

A portico is a functional yet stylish way to add a touch of class to the front of your home by transforming the appearance of your doorway.

Our porticos are available in a range of sizes, with the standard options being 2000mm, 2500mm and 3000mm wide. See the specifications sheet for more information on sizes and options available on your portico design.

Projection 1100 at top, 1000 at bottom.

* Half fluted pillars also available



Quality GRP Bow Canopy

A bow window canopy is the fast and easy way of transforming a flat window in to a more attractive and spacious bow window. Manufactured in strong rigid GRP. Cuts fitting time to a minimum and can be completed by an installer, eliminating lead work and plaster ceilings etc. No need for specialist contractors to finish the job.

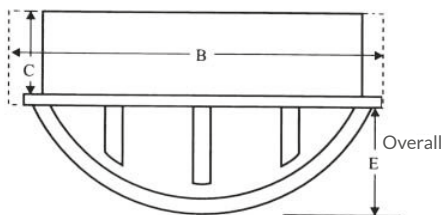
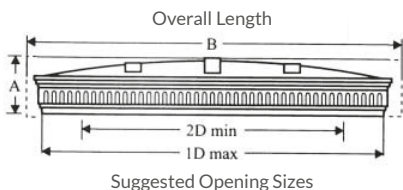
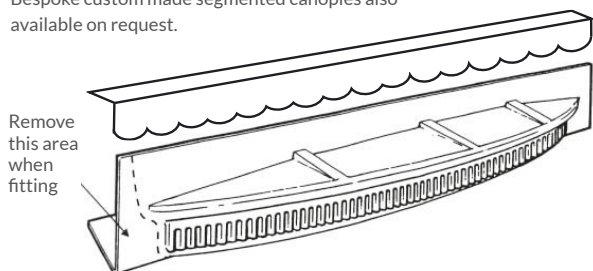
Finish Options:

Available in three shades of white, chocolate brown, light oak, rosewood or anthracite grey.

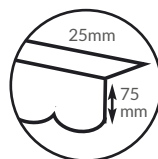
Standard Sizes Available:

Available to fit openings between 1500 - 3400mm.

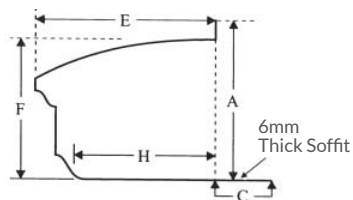
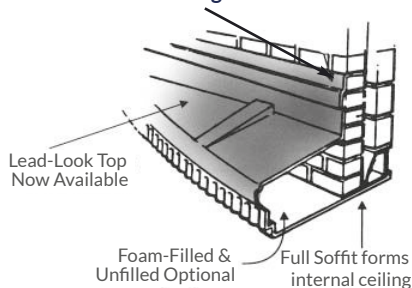
Bespoke custom made segmented canopies also available on request.



Optional GRP simulated lead flashing.



New Lead Look GRP Flashing Available



Why Choose a Bow Canopy?

- Fast & Easy Installation
- Totally Maintenance Free
- Strong Rigid Fibreglass
- One Piece Leak-Proof Moulding
- Foam Filled / Unfilled Optional
- Next Day Delivery Available

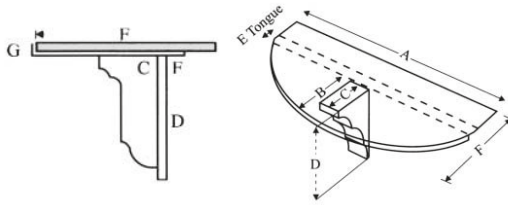
MODEL	DIMENSIONS							PROJECTION
SIZE	A	B	C	1D	2D	E	F	H
1800 Canopy	250	2360	300	1900	1500	256	200	175mm
2400 Canopy	300	2830	300	2500	1900	390	250	310mm
2800 Canopy	310	3150	300	2800	2500	460	260	360mm
3400 Canopy	330	3730	300	3400	2800	590	280	490mm

MK1 - GRP Base Unit

Manufactured from strong rigid glass reinforced plastic, designed for fast and easy installation. Fully moulded bottom with bracket attached in one piece with a 12mm mahogany plywood window board. For use in conjunction with our Bow Bay Canopies.

Finish Options:

Available in three shades of white, chocolate brown, light oak, rosewood or anthracite grey.



MODEL	A	B	C	D	E	F	G
1800 BASE INC. 1 BRACKET	2130	210	150	330	50	530	20
2400 BASE INC. 1 BRACKET	2440	370	230	330	50	650	20
2800 BASE INC. 2 BRACKET	2850	340	230	330	50	650	20

MK2 - GRP Base Unit

After years of research, this dual-sided base unit has been developed with a seamless finish, forming both internal and external sills. Never has it been easier to install a bow window, saving time and money. Comes fully insulated, incapsulating a timber insert for invisible and easy installation.

Finish Options:

Available in three shades of white, chocolate brown, light oak, rosewood or anthracite grey.



MODEL	A	B	C	D	E	F
1800 MK2 BASE INC. 1 BRACKET	2180	30	150	330	40	510
2400 MK2 BASE INC. 1 BRACKET	2670	30	230	330	40	660

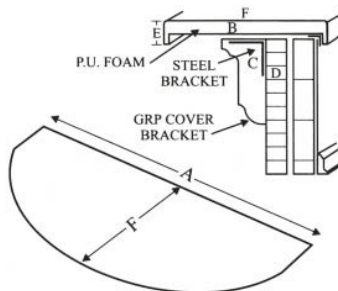
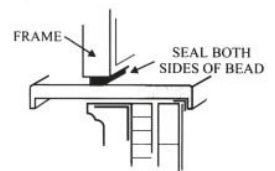


Fig. 1



Columns

Transform any entrance with our round or half round columns.

These beautifully moulded columns are lightweight and easy to handle. They can be used in many building projects, including porches and porticos.

Further strength for load bearing properties can be added by filling the centre of the columns with steel rods and concrete, creating a real feel concrete column that will retain its elegant looks with no maintenance. Columns can be used with our canopies, or as part of your own design.

Both columns are also available in Half-Round profile.

Why Choose Columns?

- Beautiful Moulded Design
- Fast & Easy Installation
- Made in Strong Rigid Fibreglass
- Delivery Approx' 3-4 Weeks
- Totally Maintenance Free
- Fully Guaranteed

Finish Options:

White, brown, light oak, rosewood or anthracite grey.

Plain Column



Plain Column

TOP
SHAPE

170mm Internal Width
340mm External Width

Fluted Column

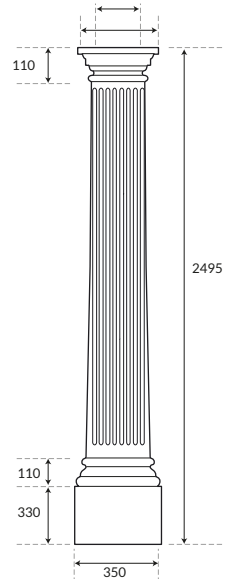
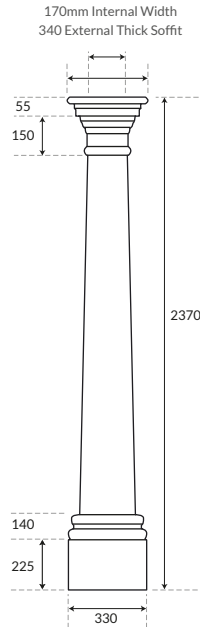


Fluted Column

TOP
SHAPE

195mm Internal Width
340mm External Width

* More size options available.



Concept Canopy

Concept canopy will make a huge difference to your home, whether you chose a carport, a covered walkway, a children's play area or a stylish patio canopy. Made from tough and maintenance free fibreglass reinforced plastic, your canopy will look fresh and modern for years to come. The translucent 2.4mm thick roof sheets are strong and durable but still allow natural daylight.

Adds value to your property...

The Concept canopy has undergone rigorous testing procedures in simulated and actual installations over many years. Monitoring of test models is continuous and no component has ever been detected. Concept canopy requires no ground preparation and, in most cases, planning permission is not necessary. It immediately becomes a welcome addition to any house or bungalow.

Installation...

The canopy installation can be carried out by trained installers in just a few hours (fixings supplied) with no fuss or mess. All you need to maintain the elegant looks is an occasional wipe clean. Concept Canopy is designed on a modular basis, meaning you can increase the area of coverage at any time with no support pillars, still providing maximum projection.

*Standard size 2440 projection. Available in reduced sizes.



Flexi-Roof Modules

Ideal for porches, extensions & canopies.

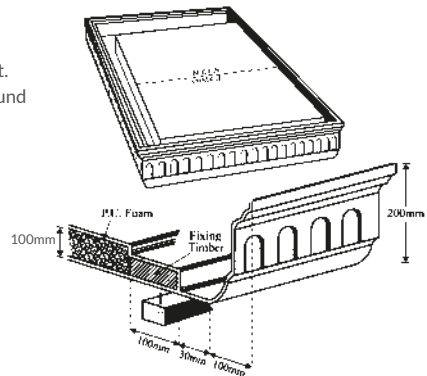
Constructed from glass reinforced plastic. Each roof is made to your exact requirements. Max size to the outside of the fixing timber (see diagram below) 6200 x 3200mm.

Cut-outs can be built in, as well as blank ends to allow the module to fit against side walls.

Manufactured to fit your external frame sizes, we work out the overhang to suit. Simply lift the roof on top of the frames and screw up into the fixing timber around the outer frame layout.

All flexi roofs are manufactured with built in insulation and fitted electrical conduit, making light fitting easy and ensuring your home retains warmth.

* Also available in the following fascias.



Warwick Fascia



Lincoln Fascia



Double Flat Fascia

GRP Dormers

GRP (glass reinforced plastic) has become one of the most popular methods of manufacture for dormers.

Here at APC, we are the only company that manufactures bespoke dormer modules without the use expensive moulds. We have developed a new system of manufacturing that has been proven to exceed building specifications and passed rigorous independent testing from the CGFMA.

Almost any size dormer can be manufactured using our method. Once assembled, our units can be clad inside, and out, with fibre re-enforced polymer resin (FRP) to provide strength and weather protection. The FRP skirt of our dormers are reinforced to aid fixing to the roof trusses and to support roofing lathes and tiles. Our dormers are fully insulated, constructed using PU foam to give a U value around 0.184.

All our products are covered by our 10-year warranty.

Information on CGFMA testing can be requested.

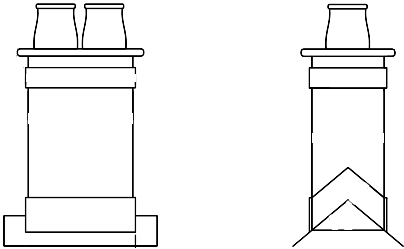


Variable size.

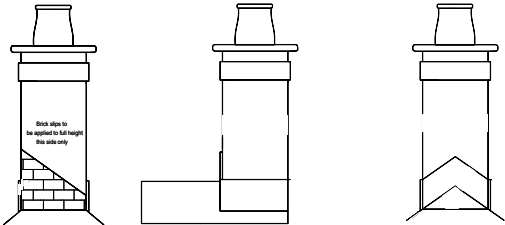
GRP Chimney including real brick slips.

Our GRP Chimneys are designed to provide the developer with a detail that meets local planning requirements, without resorting to the cost of building a brick stack from ground floor to roof level. GRP chimneys also offer the home buyer the benefit of increased floor area, where a traditional chimney breast would usually encroach into a room. Chimneys can be manufactured to suit any roof pitches and may be positioned in most places. Any reasonable number of pots may be added, in a range of colours.

All units incorporate lifting eyes to allow for lifting into position with a crane. Please contact our sales department with details of your requirements.



LONGITUDINAL MID RIDGE DOUBLE POT CHIMNEY



END RIDGE SINGLE POT CHIMNEY 35 deg

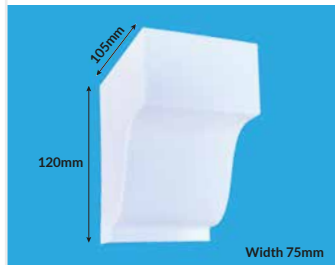


GRP Brackets and Corbels

BRP 2

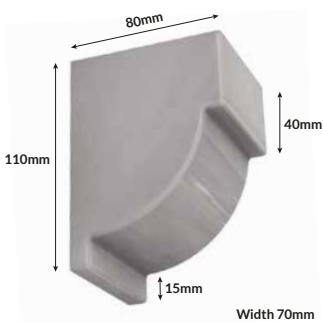
A popular injection moulded decorative bracket with a smooth silk finish for corbelling or contemporary use around buildings.

* Only available in white.



BRG 2

Popular, gloss finished corbel bracket for fascia and contemporary use.



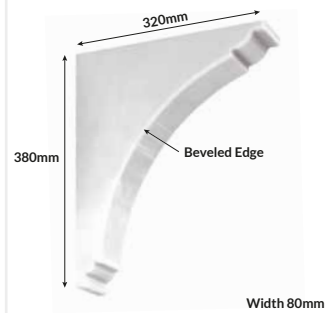
BRG 3

Corbel bracket with edge detailing and a smooth finish.



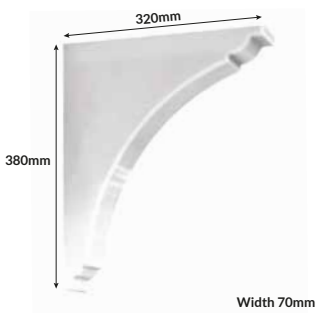
BRG 4

Decorative bracket designed to compliment our door canopies and for covering load bearing steel brackets.



BRG 5

Ogee curved bracket designed as a decorative addition and for concealing load bearing brackets.



BRP6

A decorative wood-effect bracket for use in many applications.

* White only



BRP7

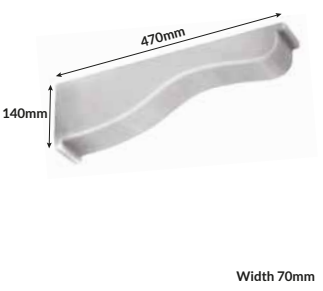
A decorative wood-effect bracket for use with our door canopies, & other applications.

* White only



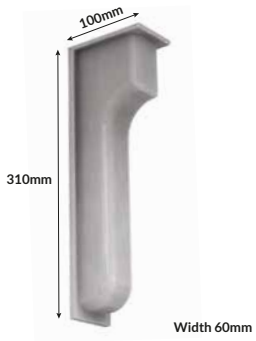
BRG 8

Gloss finish, corbel bracket.



BRG 9

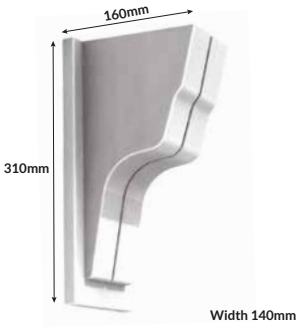
Elegant gloss finish corbel bracket with many useful applications.



* Available in a choice of colours.

BRG 10

Decorative bracket cover.



BRG 11

Decorative gallows bracket which is easy to install and made from maintenance free GRP.



BRG 12

This large bracket can be used used for load bearing when used with our large steel brackets.



BRP 13

A decorative wood-effect bracket for use with our door canopies, & other applications.



BRG 14

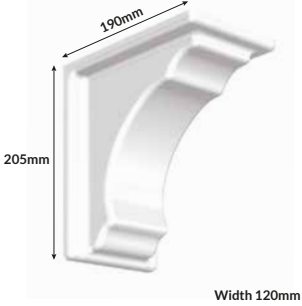
A small decorative bracket cover measuring 130mm x 150mm.

* Discontinued



BRG 15

A decorative bracket cover measuring 190mm x 205mm with a smooth, gloss finish.



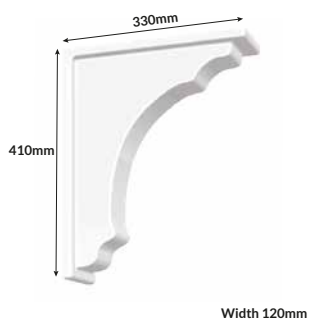
BRG 16

A decorative bracket manufactured in smooth finish, rigid GRP.



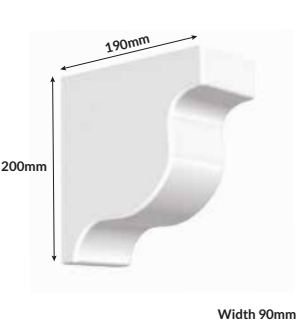
BRG 17

A decorative bracket cover measuring 330mm x 410mm



BRG 18

A small decorative bracket cover measuring 190mm x 200mm.

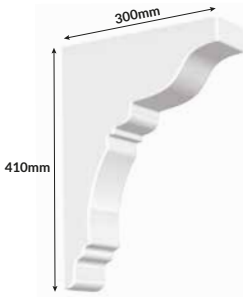


* Available in a choice of colours.

GRP Brackets and Corbels

BRG 19

A decorative bracket cover measuring 300mm x 410mm.



BRG 20

An elegant decorative bracket measuring 250 x 130mm with a glossy finish.



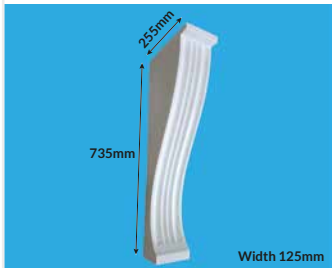
BRG 21

A smooth decorative bracket measuring 370 x 295mm that would complement many of our door canopies.



BRG 22

Longer than most of our brackets, measuring 735 x 255mm, this decorative design would complement one of our smaller door canopies such as the Rockingham (see page 3).



BRG 23

Measuring 350 x 245mm, this plain yet elegant decorative bracket would compliment a smaller door canopy such as our new shelf canopy (see page 6).



BRG 24

A decorative Corbel with a style like our Victorian door surround pillars (see page 9).



Load Bearing Solid Resin Bracket

Available in several size options, easy to install and load bearing up to 100kg. Maintenance free. Available in white or brown. See page 20 for more info.

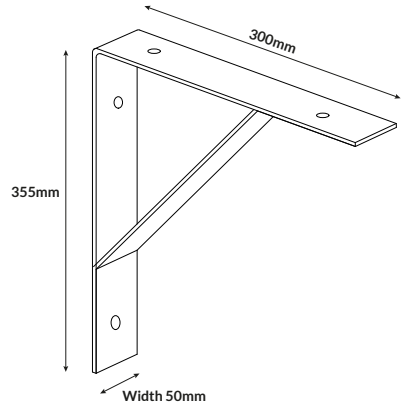


Steel Bracket Insert

Designed for use with our BRG4, BRG5, BRG12, BRG17 & BRG19 brackets.

These steel brackets will support approximately 150 kg each, when mounted securely to certain specifications only (please contact us for further information regarding this if required). After mounting use one of our GRP brackets a decorative cover to complete the project.

These robust brackets are manufactured from 50 x 5 mm flat steel bar to form a strong support measuring 300 x 355mm.



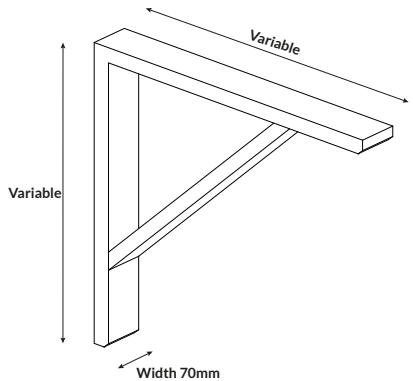
Load Bearing Solid Resin Brackets

Load bearing solid resin brackets in smooth finish.

Available in a range of sizes from 300mm x 300mm up to a maximum of 1000mm x 1000mm in increments of 50mm in white or brown.

Please contact us for further information.

Height (mm) x Projection (mm)	
300 x 300	600 x 600
400 x 400	600 x 700
400 x 500	700 x 700
500 x 500	700 x 800
500 x 600	800 x 800



Also bespoke sizes made to order.

www.GRPtechsupport.co.uk